



# PERFORMANCE HYDRAULIC RELEASE BEARINGS

XClutch now offer a universal style performance hydraulic release bearing (HRB) for motorsport and gearbox conversion applications.

The new HRB was designed in-house at XClutch and incorporates a billet 6061 alloy housing, high quality EPDM rubber seals and a threaded adjustment sleeve (where required) for universal applications.

The HRB is available in kit form for various popular conversion applications and these kits include an adaptor plate and braided clutch and bleeder lines (as required).



HRB Part Number	Bearing/Clutch Contact Diameter (mm)	Usable Piston Travel (mm)	Adjustability (mm)	Max. Extension Height (mm)	Min. Compression Height (mm)	Mounting Style	Application	Accessories Included	Replacement Bearing Part No
CSCCV201	51	17	16	79	46	Slide on 25mm nose cone (adjustable height up to 18mm)	Universal (machine to suit)	Braided clutch and bleed lines. M8x1.25 + 5/16" guide pins. 25mm bore adjustable sleeve.	TB40004
CSCCV202	65	17	16	82	49	Slide on 25mm nose cone (adjustable height up to 18mm)	Universal (machine to suit)	Braided clutch and bleed lines. M8x1.25 + 5/16" guide pins. 25mm bore adjustable sleeve.	TB40017
CSCCV203	Flat	17	16	81	48	Slide on 25mm nose cone (adjustable height up to 18mm)	Universal (machine to suit)	Braided clutch and bleed lines. M8x1.25 + 5/16" guide pins. 25mm bore adjustable sleeve.	TB40006
CSCCV204	51	17	16	79	46	Slide on 35.3mm nose cone (adjustable height up to 18mm)	GM Muncie, T10, Toyota, Tremec	Braided clutch and bleed lines. M8x1.25 + 5/16" guide pins. 35.3mm bore adjustable sleeve.	TB40004
CSCCV205	65	17	16	82	49	Slide on 35.3mm nose cone (adjustable height up to 18mm)	GM Muncie, T10, Toyota, Tremec	Braided clutch and bleed lines. M8x1.25 + 5/16" guide pins. 35.3mm bore adjustable sleeve.	TB40017
CSCCV206	Flat	17	16	81	48	Slide on 35.3mm nose cone (adjustable height up to 18mm)	GM Muncie, T10, Toyota, Tremec	Braided clutch and bleed lines. M8x1.25 + 5/16" guide pins. 35.3mm bore adjustable sleeve.	TB40006
CSCCV207	51	17	16	79	46	Slide on 36.3mm nose cone (adjustable height up to 18mm)	Ford T5, Toploader, Tremec	Braided clutch and bleed lines. M8x1.25 + 5/16" guide pins. 36.3mm bore adjustable sleeve.	TB40004
CSCCV208	65	17	16	82	49	Slide on 36.3mm nose cone (adjustable height up to 18mm)	Ford T5, Toploader, Tremec	Braided clutch and bleed lines. M8x1.25 + 5/16" guide pins. 36.3mm bore adjustable sleeve.	TB40017
CSCCV209	Flat	17	16	81	48	Slide on 36.3mm nose cone (adjustable height up to 18mm)	Ford T5, Toploader, Tremec	Braided clutch and bleed lines. M8x1.25 + 5/16" guide pins. 36.3mm bore adjustable sleeve.	TB40006
CSCCV210	51	17	NA	63	46	Bolt to custom gearbox adaptor	Universal*	Locating ring 38-40.5mm.	TB40004
CSCCV211	65	17	NA	66	49	Bolt to custom gearbox adaptor	Universal*	Locating ring 38-40.5mm.	TB40017
CSCCV212	Flat	17	NA	65	48	Bolt to custom gearbox adaptor	Universal*	Locating ring 38-40.5mm.	TB40006
CSCCV-KIT-51	51	17	16	79	46	Slide on and bolt on.	Universal* See drawing below	Braided clutch and bleed lines. M8x1.25 + 5/16" guide pins. 25mm, 35.3mm and 36.3mm adjustable sleeves. M6 mounting Bolts.	TB40004
CSCCV-KIT-65	65	17	16	82	49	Slide on and bolt on.	Universal* See drawing below	Braided clutch and bleed lines. M8x1.25 + 5/16" guide pins. 25mm, 35.3mm and 36.3mm adjustable sleeves. M6 mounting Bolts.	TB40017
CSCCV-KIT-FLAT	Flat	17	16	81	48	Slide on and bolt on.	Universal* See drawing below	Braided clutch and bleed lines. M8x1.25 + 5/16" guide pins. 25mm, 35.3mm and 36.3mm adjustable sleeves. M6 mounting Bolts.	TB40006

\*Adaptors available to suit a range of OEM gearboxes

For more information, please contact [sales@xclutchusa.com](mailto:sales@xclutchusa.com)

**THE REAL PERFORMANCE CLUTCH**

[WWW.XCLUTCHUSA.COM](http://WWW.XCLUTCHUSA.COM)



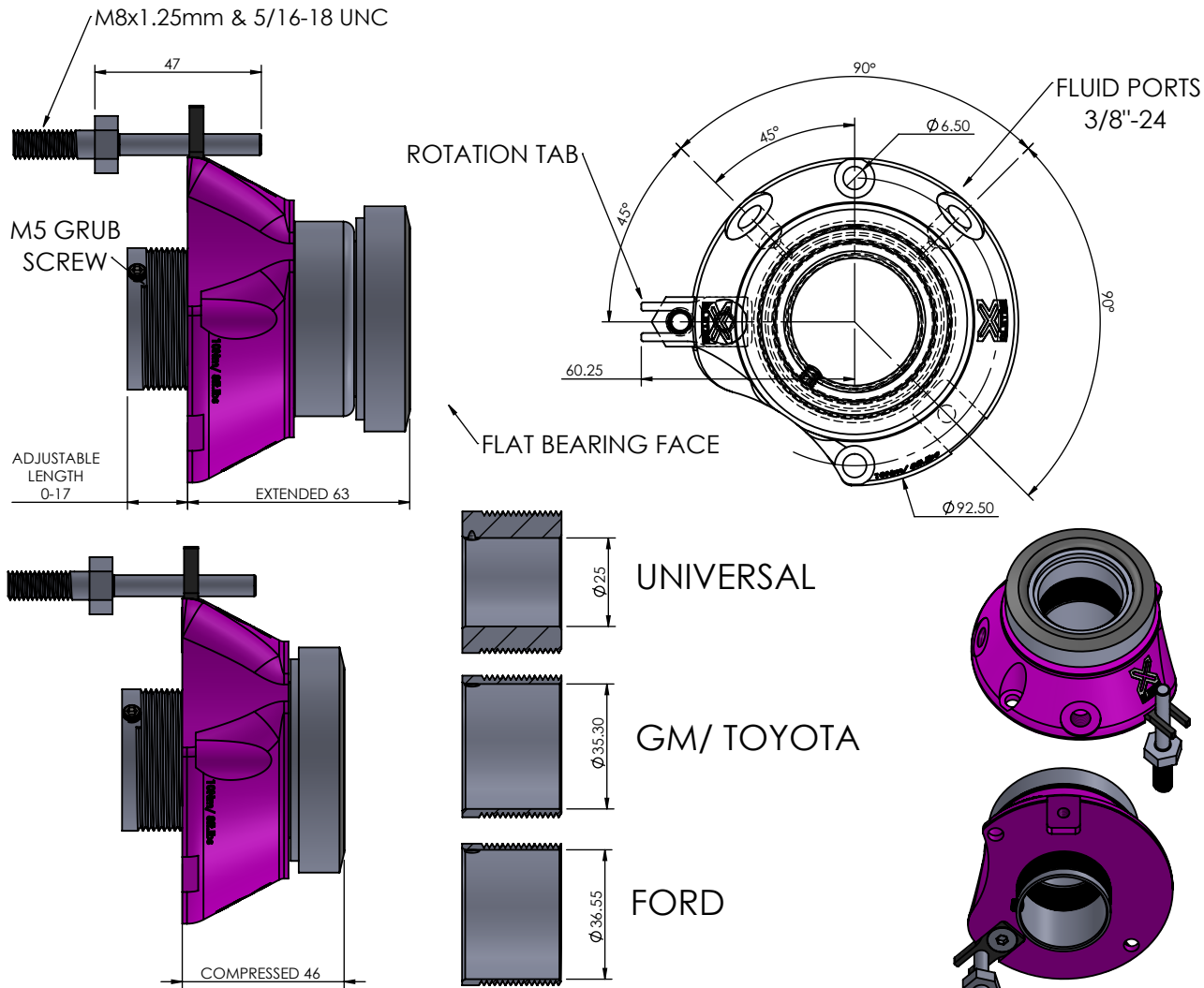
[/xclutchperformance](https://www.facebook.com/xclutchperformance)



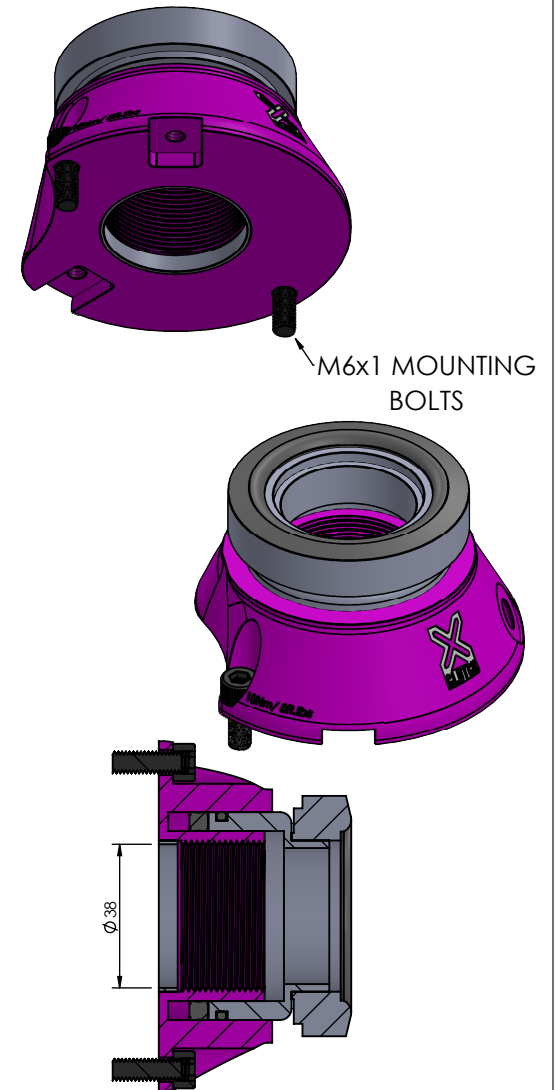
[/xclutch\\_usa](https://www.instagram.com/xclutch_usa)



# ADJUSTABLE SLIDE ON MOUNT



# TWO BOLT MOUNT



## NOTES

- SUITS RACING CLUTCH DIAPHRAGMS
- PISTON AREA 785.4 sqmm
- MOST SUITABLY USED WITH 3/4" MASTER CYL
- UNIVERSAL BRAIDED SUPPLY AND BLEEDER LINES SUPPLIED (300mm LONG TO 3/8" JIC FEMALE)
- BLEED PORT ORIENTATION TO BE AS CLOSE TO TOP/ VERTICAL AS POSSIBLE

### PROPRIETARY AND CONFIDENTIAL

THE INFORMATION CONTAINED IN THIS DRAWING IS THE SOLE PROPERTY OF AUSTRALIAN CLUTCH SERVICES. ANY REPRODUCTION IN PART OR AS A WHOLE WITHOUT THE WRITTEN PERMISSION OF AUSTRALIAN CLUTCH SERVICES IS PROHIBITED.

ALL DIMENSIONS IN MILLIMETERS OR [INCHES] & DEGREES UNLESS OTHERWISE SPECIFIED

MATERIAL: 6061 & S45	NAME	DATE
DO NOT SCALE DRAWING	DRAWN SF	12/10/2022

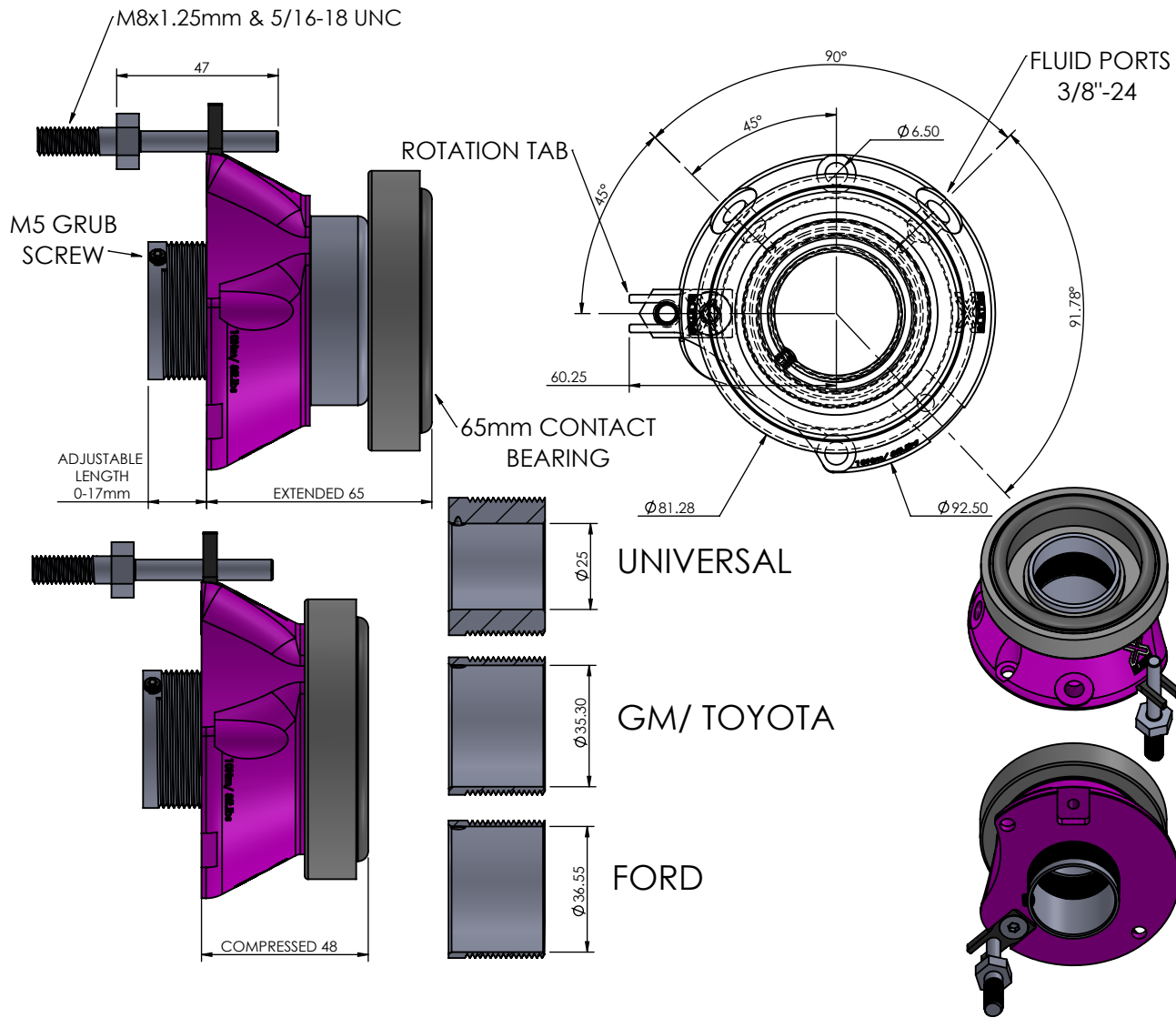


PART NO:  
CVCCV-KIT-51

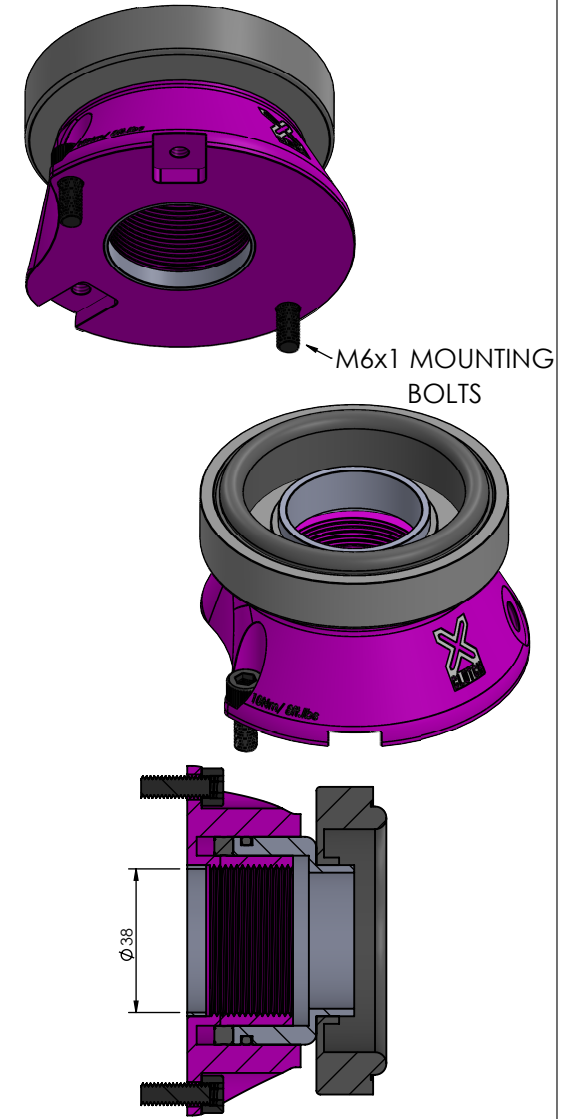
PAGE SIZE A4

TOTAL SHEETS 3

# ADJUSTABLE SLIDE ON MOUNT



# TWO BOLT MOUNT



## NOTES

- SUITS OEM LARGE FLAT DIAPHRAGMS
- PISTON AREA 785.4 sqmm
- MOST SUITABLY USED WITH 3/4" MASTER CYL
- UNIVERSAL BRAIDED SUPPLY AND BLEEDER LINES SUPPLIED (300mm LONG TO 3/8" JIC FEMALE)
- BLEED PORT ORIENTATION TO BE AS CLOSE TO TOP/ VERTICAL AS POSSIBLE

### PROPRIETARY AND CONFIDENTIAL

THE INFORMATION CONTAINED IN THIS DRAWING IS THE SOLE PROPERTY OF AUSTRALIAN CLUTCH SERVICES. ANY REPRODUCTION IN PART OR AS A WHOLE WITHOUT THE WRITTEN PERMISSION OF AUSTRALIAN CLUTCH SERVICES IS PROHIBITED.

ALL DIMENSIONS IN MILLIMETERS OR [INCHES] & DEGREES UNLESS OTHERWISE SPECIFIED

MATERIAL: 6061 & S45	NAME	DATE
DO NOT SCALE DRAWING	DRAWN SF	12/10/2022

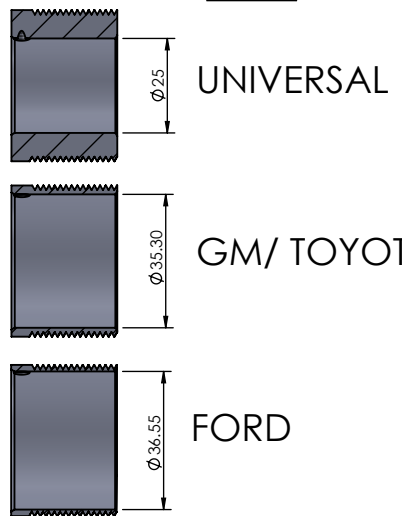
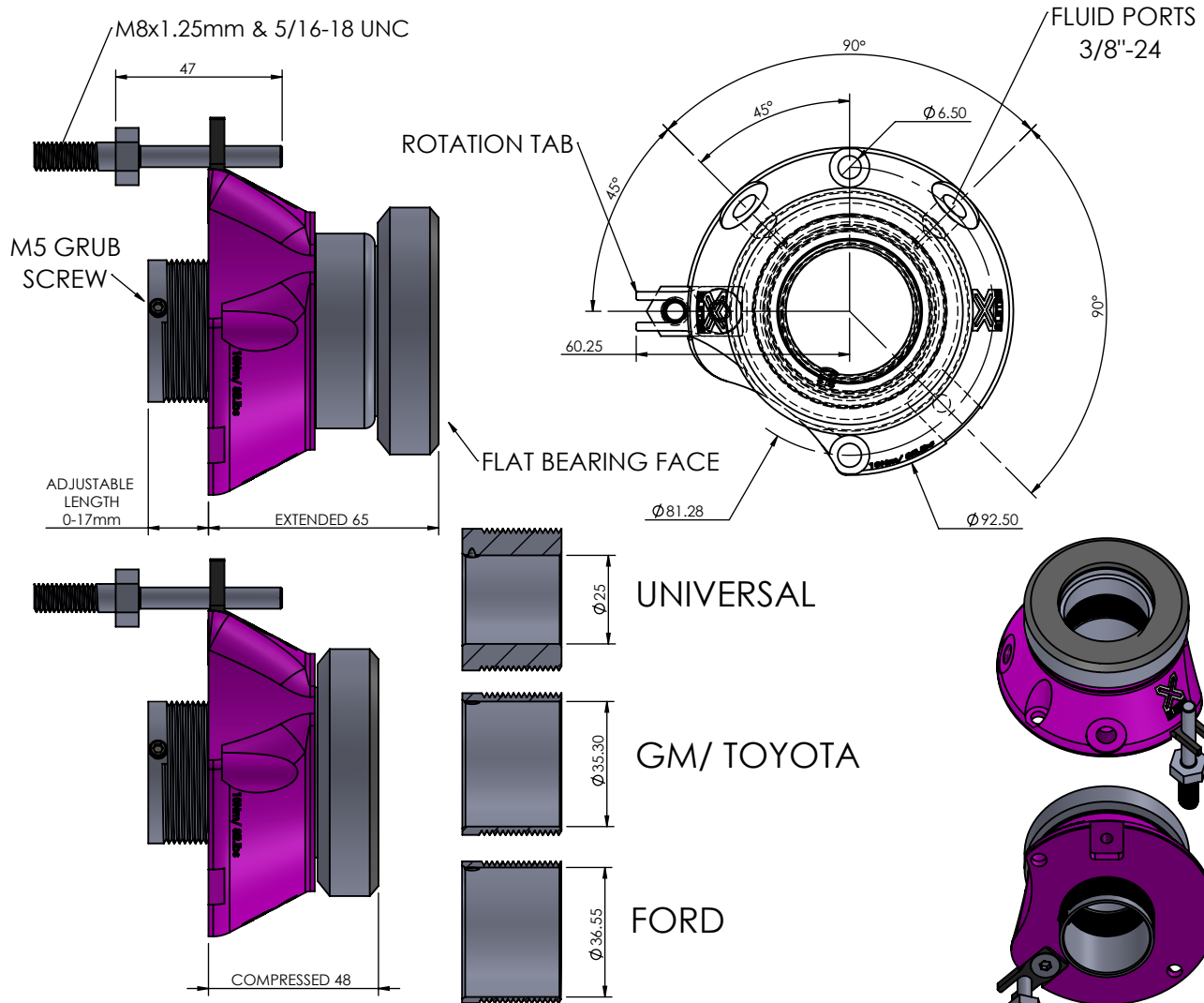


PART NO:  
CSCCV-KIT-65

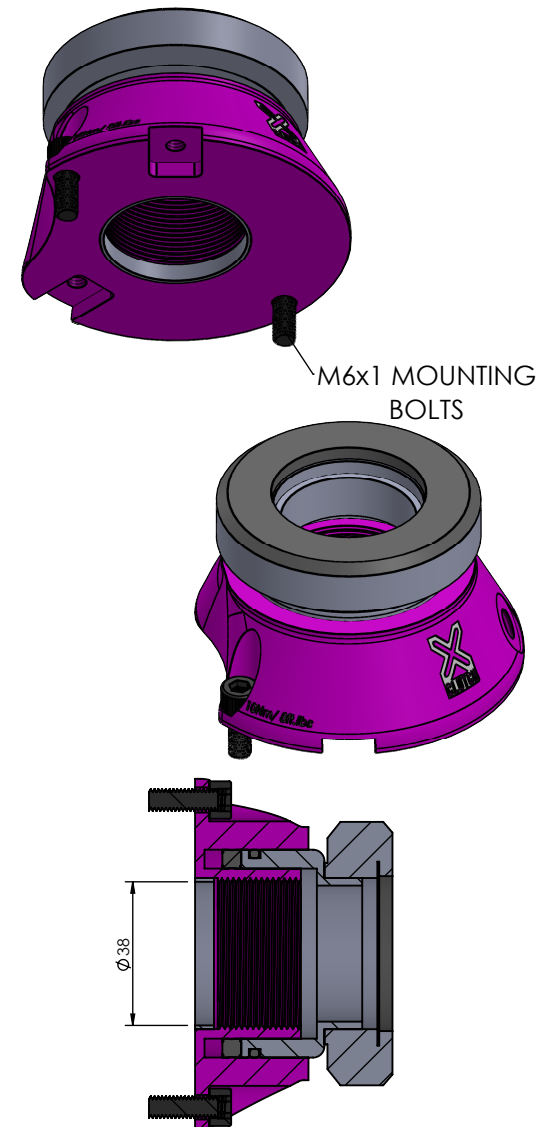
PAGE SIZE A4

TOTAL SHEETS 3

# ADJUSTABLE SLIDE ON MOUNT



# TWO BOLT MOUNT



### NOTES

- SUITS ROLLED TIP DIAPHRAGMS (GM/FORD)
- PISTON AREA 785.4 sqmm
- MOST SUITABLY USED WITH 3/4" MASTER CYL
- UNIVERSAL BRAIDED SUPPLY AND BLEEDER LINES SUPPLIED (300mm LONG TO 3/8" JIC FEMALE)
- BLEED PORT ORIENTATION TO BE AS CLOSE TO TOP/ VERTICAL AS POSSIBLE

**PROPRIETARY AND CONFIDENTIAL**  
 THE INFORMATION CONTAINED IN THIS DRAWING IS THE SOLE PROPERTY OF AUSTRALIAN CLUTCH SERVICES. ANY REPRODUCTION IN PART OR AS A WHOLE WITHOUT THE WRITTEN PERMISSION OF AUSTRALIAN CLUTCH SERVICES IS PROHIBITED.

ALL DIMENSIONS IN MILLIMETERS OR [INCHES] & DEGREES UNLESS OTHERWISE SPECIFIED

MATERIAL: 6061 & S45	NAME	DATE
DO NOT SCALE DRAWING	DRAWN SF	12/10/2022



**PART NO:**  
**CSCCV-KIT-FLAT**